

HOW DOES IT WORK ?

First action:

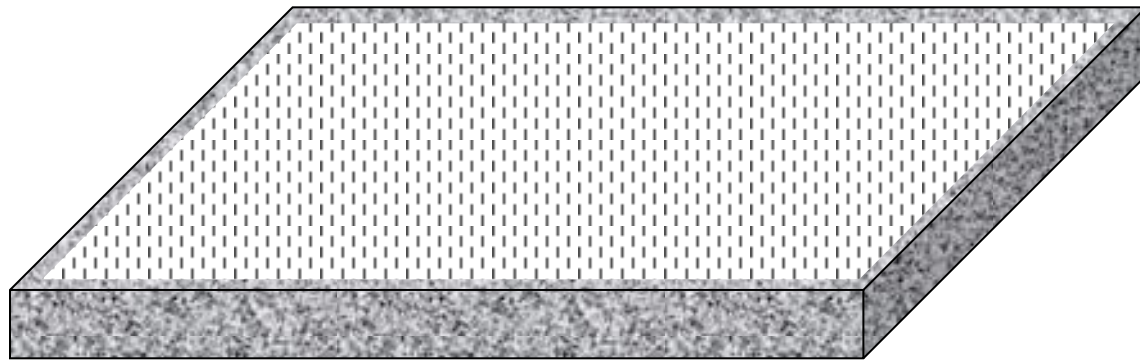
Degreasing



- ✓ **the oils are removed from the surface and dissolved into the organic fluid mixture**

HOW DOES IT WORK ?

Second action : *Phosphating*



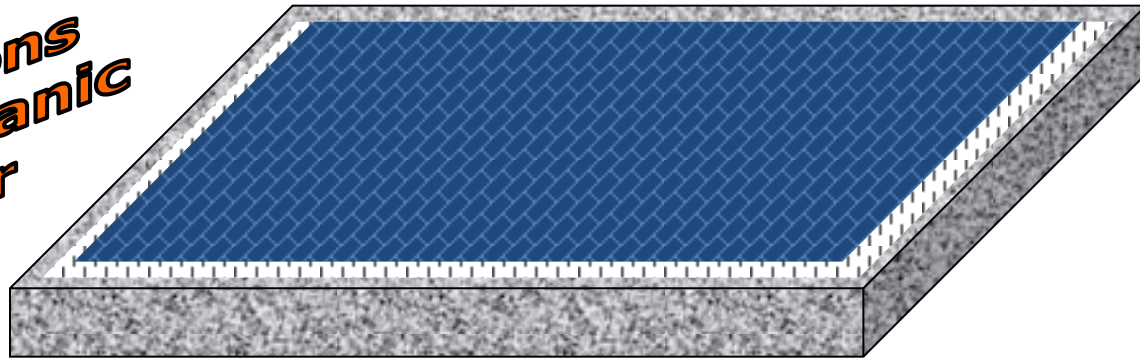
- ✓ **Paikor & Ecophor**
- ✓ **surface conversion**
- ✓ **Creation of a chemical bridge**
- ✓ **Toran 3**
- ✓ **Unique polymer bond**
- ✓ **Double cure**

HOW DOES IT WORK ?

Third action:

Protection

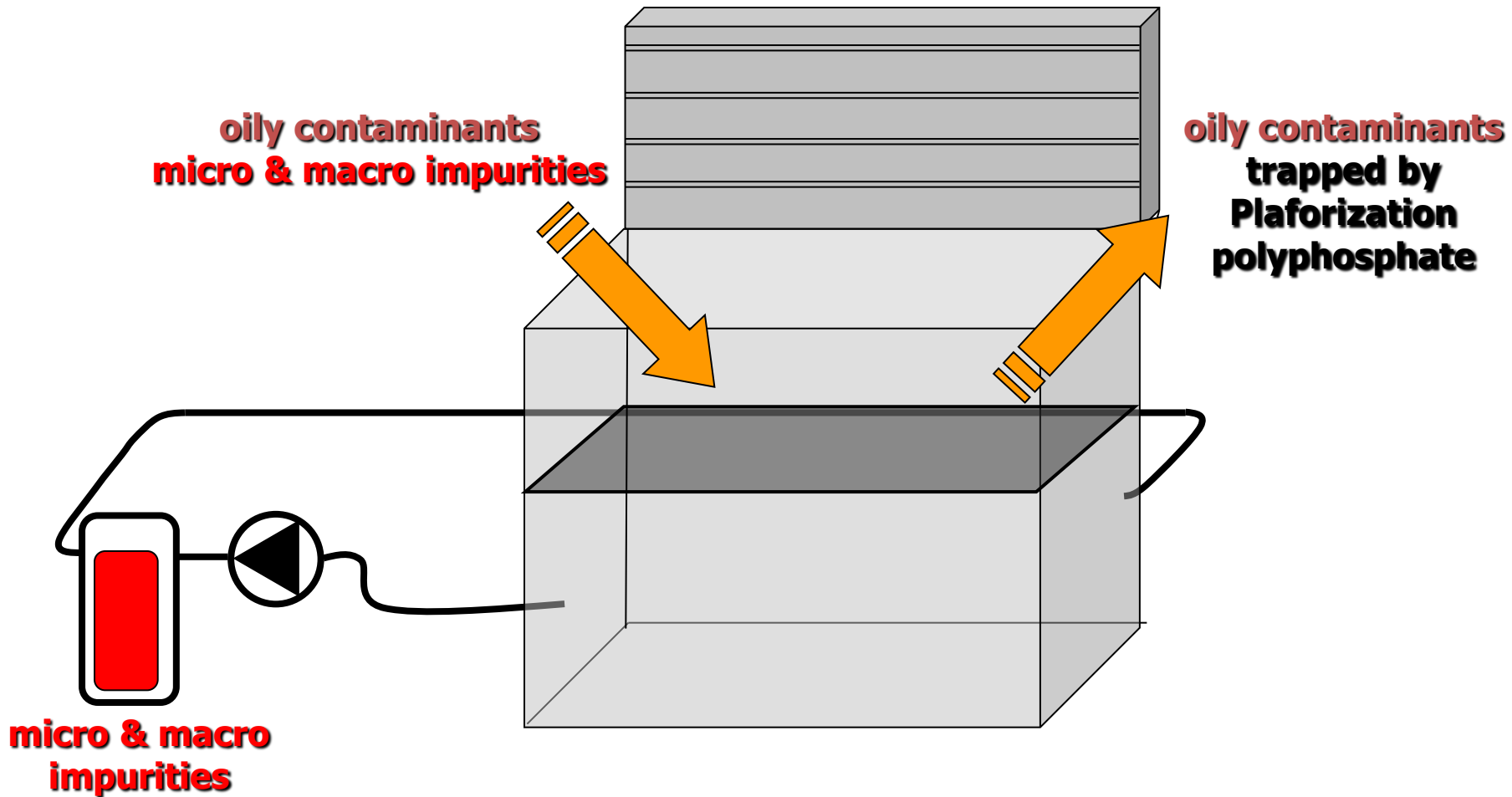
*1-2 microns
special organic
polymer*



- ✓ **Uniform deposition of the special polymer**
- ✓ **Temporary protection against flash rust**
- ✓ **Improvement of the topcoat performance**

HOW DOES IT WORK ?

Where do the impurities go ?



HOW DOES IT WORK ?

Where do the oils go ?

